

**AA** **Alternative Air**  
STORE FIXTURES

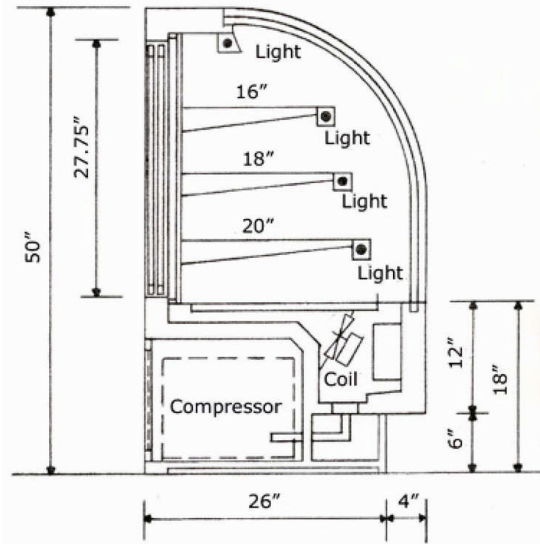
**Tel: (609) 261-5870**

**Fax: (609) 261-5531**



***Curved Front Bakery Merchandiser***

**[WWW.AAFIXTURES.COM](http://WWW.AAFIXTURES.COM)**



**REFRIGERATED BAKERY MERCHANDISERS  
30" DEEP**

MODEL #	L x D x H	COMPRESSOR	AMPS / 115V	LBS
AABCA-36-R	36" x 30" x 50"	½ hp	10.97	400
AABCA-48-R	48" x 30" x 50"	½ hp	11.22	475
AABCA-60-R	60" x 30" x 50"	½ hp	12.84	600
AABCA-72-R	72" x 30" x 50"	½ hp	13.00	750

**DRY BAKERY MERCHANDISERS**

MODEL #	L x D x H	COMPRESSOR	AMPS / 115V	LBS
AABCA-36-D	36" x 30" x 50"	N/A	1.9	300
AABCA-48-D	48" x 30" x 50"	N/A	2.1	350
AABCA-60-D	60" x 30" x 50"	N/A	3.6	425
AABCA-72-D	72" x 30" x 50"	N/A	4.0	475
AABCA-96-D	96" x 30" x 50"	N/A	4.6	525

**ALSO AVAILABLE 35" DEEP**

**A.A. Store Fixtures**  
**ETL LISTED**  
**COMMERCIAL REFRIGERATORS**  
**& FREEZERS**

**9902041**  
**CONFORMS TO ANSI/UL STD 471 & NSF 7 APPROVED**