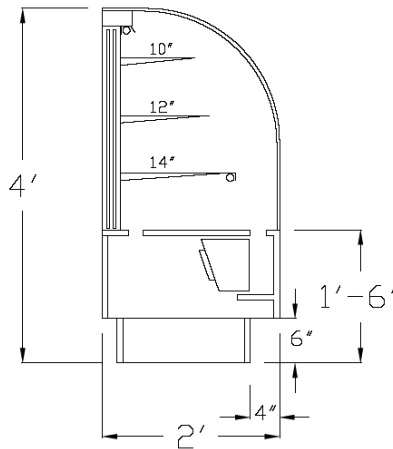


AA Alternative Air

STORE FIXTURES

"EXCELLENCE ON DISPLAY"



REFRIGERATED CHOCOLATE MERCHANDISERS

"A" MODEL

MODEL #	L x D x H	COMPRESSOR	AMPS / 115V	LBS	NET PRICE
AACCA-36-R	36" x 24" x 48"	1/5 hp	7.1	400	\$3,834.00
AACCA-48-R	48" x 24" x 48"	1/5 hp	7.1	475	\$3,944.00
AACCA-60-R	60" x 24" x 48"	1/5 hp	7.1	600	\$4,164.00
AACCA-72-R	72" x 24" x 48"	1/5 hp	7.1	650	\$4,384.00
AACCA-96-R	96" x 24" x 48"	1/5 hp	7.1	750	\$5,060.00

DRY CHOCOLATE MERCHANDISERS

MODEL #	L x D x H	COMPRESSOR	AMPS / 115V	LBS	NET PRICE
AACCA-36-D	36" x 24" x 48"	N/A	1.9	325	\$2,420.00
AACCA-48-D	48" x 24" x 48"	N/A	2.1	400	\$2,640.00
AACCA-60-D	60" x 24" x 48"	N/A	3.6	500	\$2,860.00
AACCA-72-D	72" x 24" x 48"	N/A	4.0	600	\$3,190.00
AACCA-96-D	96" x 24" x 48"	N/A	4.0	650	\$3,960.00

ETL LISTED
COMMERCIAL REFRIGERATORS
& FREEZERS

9902041
CONFORMS TO ANSI/UL STD 471 & NSF 7 APPROVED

ALL DISPLAYS ARE DESIGNED & ENGINEERED TO OPERATE IN STORE CONDITIONS OF
75 DEGREES FAHRENHEIT AND 55% RELATIVE HUMIDITY

WWW.AAFIXTURES.COM