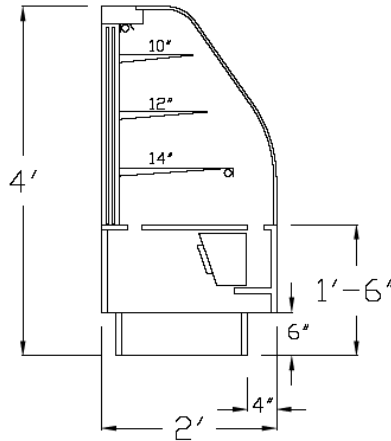


AA Alternative Air

STORE FIXTURES

"EXCELLENCE ON DISPLAY"



REFRIGERATED CHOCOLATE MERCHANDISERS

"D" MODEL

| MODEL # | L x D x H | COMPRESSOR | AMPS / 115V | LBS | NET PRICE |
|------------|-----------------|------------|-------------|-----|------------|
| AACCD-36-R | 36" x 24" x 48" | 1/5 hp | 7.1 | 400 | \$3,834.00 |
| AACCD-48-R | 48" x 24" x 48" | 1/5 hp | 7.1 | 475 | \$3,944.00 |
| AACCD-60-R | 60" x 24" x 48" | 1/5 hp | 7.1 | 550 | \$4,164.00 |
| AACCD-72-R | 72" x 24" x 48" | 1/5 hp | 7.1 | 650 | \$4,384.00 |
| AACCD-96-R | 96" x 24" x 48" | 1/5 hp | 7.1 | 750 | \$5,060.00 |

DRY CHOCOLATE MERCHANDISERS

| MODEL # | L x D x H | COMPRESSOR | AMPS / 115V | LBS | NET PRICE |
|------------|-----------------|------------|-------------|-----|------------|
| AACCD-36-D | 36" x 24" x 48" | N/A | 1.9 | 325 | \$2,420.00 |
| AACCD-48-D | 48" x 24" x 48" | N/A | 2.1 | 400 | \$2,640.00 |
| AACCD-60-D | 60" x 24" x 48" | N/A | 3.6 | 500 | \$2,860.00 |
| AACCD-72-D | 72" x 24" x 48" | N/A | 4.0 | 600 | \$3,190.00 |
| AACCD-96-D | 96" x 24" x 48" | N/A | 4.0 | 650 | \$3,960.00 |

ETL LISTED
COMMERCIAL REFRIGERATORS
& FREEZERS

9902041

CONFORMS TO ANSI/UL STD 471 & NSF 7 APPROVED

ALL DISPLAYS ARE DESIGNED & ENGINEERED TO OPERATE IN STORE CONDITIONS OF
75 DEGREES FAHRENHEIT AND 55% RELATIVE HUMIDITY

WWW.AAFIXTURES.COM