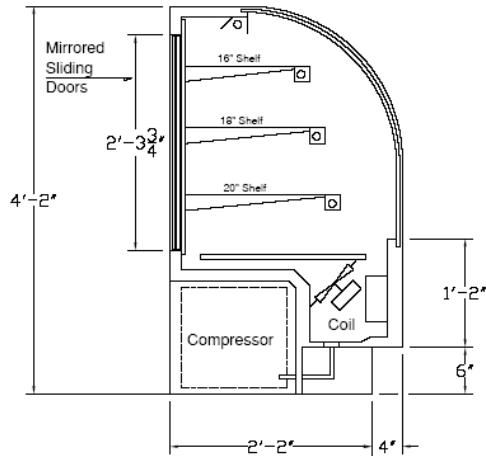


AA Alternative Air

STORE FIXTURES

EXCELLENCE ON DISPLAY™



REFRIGERATED BAKERY MERCHANDISERS

30" DEEP

MODEL #	L x D x H	COMPRESSOR	AMPS / 115V	LBS	NET PRICE
AABCA-36-R	36" x 30" x 50"	½ hp	10.97	400	\$5,060.00
AABCA-48-R	48" x 30" x 50"	½ hp	11.22	475	\$5,170.00
AABCA-60-R	60" x 30" x 50"	½ hp	12.84	600	\$5,500.00
AABCA-72-R	72" x 30" x 50"	½ hp	13.00	750	\$5,830.00

DRY BAKERY MERCHANDISERS

MODEL #	L x D x H	COMPRESSOR	AMPS / 115V	LBS	NET PRICE
AABCA-36-D	36" x 30" x 50"	N/A	1.9	300	\$3,410.00
AABCA-48-D	48" x 30" x 50"	N/A	2.1	350	\$3,600.00
AABCA-60-D	60" x 30" x 50"	N/A	3.6	425	\$4,070.00
AABCA-72-D	72" x 30" x 50"	N/A	4.0	475	\$4,290.00

ETL LISTED
COMMERCIAL REFRIGERATORS
& FREEZERS

9902041
CONFORMS TO ANSI/UL STD 471 & NSF 7 APPROVED

ALL DISPLAYS ARE DESIGNED & ENGINEERED TO OPERATE IN STORE CONDITIONS OF
75 DEGREES FAHRENHEIT AND 55% RELATIVE HUMIDITY

WWW.AAFIXTURES.COM