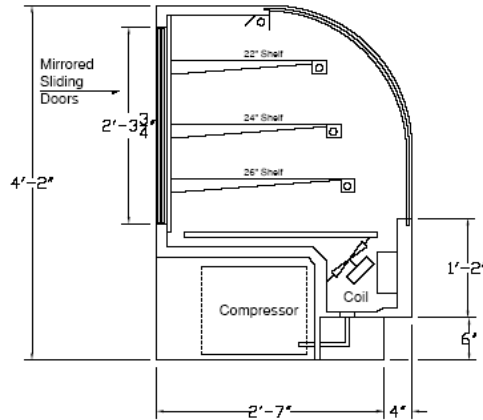


AA Alternative Air

STORE FIXTURES

“EXCELLENCE ON DISPLAY”



REFRIGERATED BAKERY MERCHANDISERS

35" DEEP

| MODEL # | L x D x H | COMPRESSOR | AMPS / 115V | LBS | NET PRICE |
|------------|-----------------|------------|-------------|-----|------------|
| AABCA-36-R | 36" x 35" x 50" | ½ hp | 10.97 | 400 | \$5,225.00 |
| AABCA-48-R | 48" x 35" x 50" | ½ hp | 11.22 | 475 | \$5,335.00 |
| AABCA-60-R | 60" x 35" x 50" | ½ hp | 12.84 | 600 | \$5,555.00 |
| AABCA-72-R | 72" x 35" x 50" | ½ hp | 13.00 | 750 | \$5,995.00 |

DRY BAKERY MERCHANDISERS

| MODEL # | L x D x H | COMPRESSOR | AMPS / 115V | LBS | NET PRICE |
|------------|-----------------|------------|-------------|-----|------------|
| AABCA-36-D | 36" x 35" x 50" | N/A | 1.9 | 300 | \$3,685.00 |
| AABCA-48-D | 48" x 35" x 50" | N/A | 2.1 | 350 | \$3,905.00 |
| AABCA-60-D | 60" x 35" x 50" | N/A | 3.6 | 425 | \$4,345.00 |
| AABCA-72-D | 72" x 35" x 50" | N/A | 4.0 | 475 | \$4,750.00 |

ETL LISTED
COMMERCIAL REFRIGERATORS
& FREEZERS

9902041
CONFORMS TO ANSI/UL STD 471 & NSF 7 APPROVED

ALL DISPLAYS ARE DESIGNED & ENGINEERED TO OPERATE IN STORE CONDITIONS OF
75 DEGREES FAHRENHEIT AND 55% RELATIVE HUMIDITY

WWW.AAFIXTURES.COM